

auto electrical parts

Technical Information Sheet

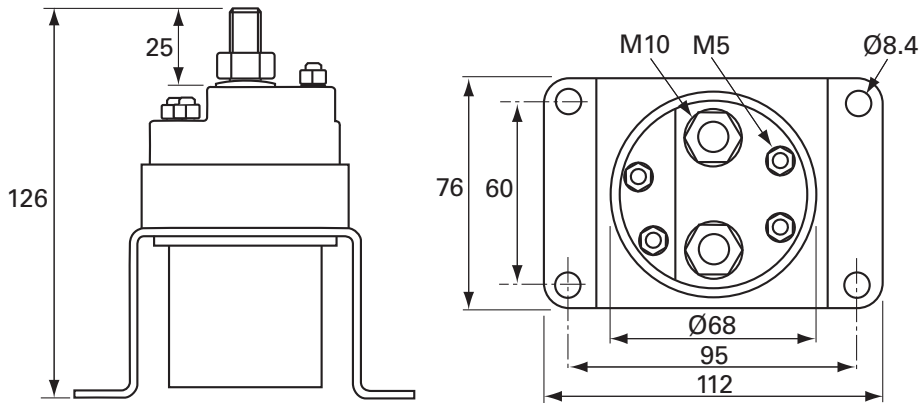
Part No. 0-605-43

Battery isolator, 24 volt, single pole, with auxiliary circuit, remotely switched electrically. Bosch 'U' type fixing bracket. Rated at 300 amps continuous, 600 amps for 20 seconds and 2400 amps for 1 second. M10 and M5 studs.



TERMS	0	1
30-30a		■
Aux	■	

Technical Drawing (not to scale)



Specification

Type	24 volt dc battery isolator with auxiliary circuit
Current max continuous	300 amp
Current intermitant	600 amp (20 sec), 2400 amp (1 sec)
Auxiliary circuit max current	10 amp
Coil current	4.5 amp (20ms) operate, 0.25 amp to maintain
Tightening torque M10 nuts	14Nm
Tightening torque M5 nuts	4Nm
Housing and bracket	Galvanised ZnFe 8-12 black passivated
Protection	IP65
Operating Temperature	-40°C to +80°C
Dimensions	See diagram
Weight	1.2kg
Approvals	CE

The information contained in this document is correct to the best of our knowledge at the time of printing. However, specifications may change at any time without notice.